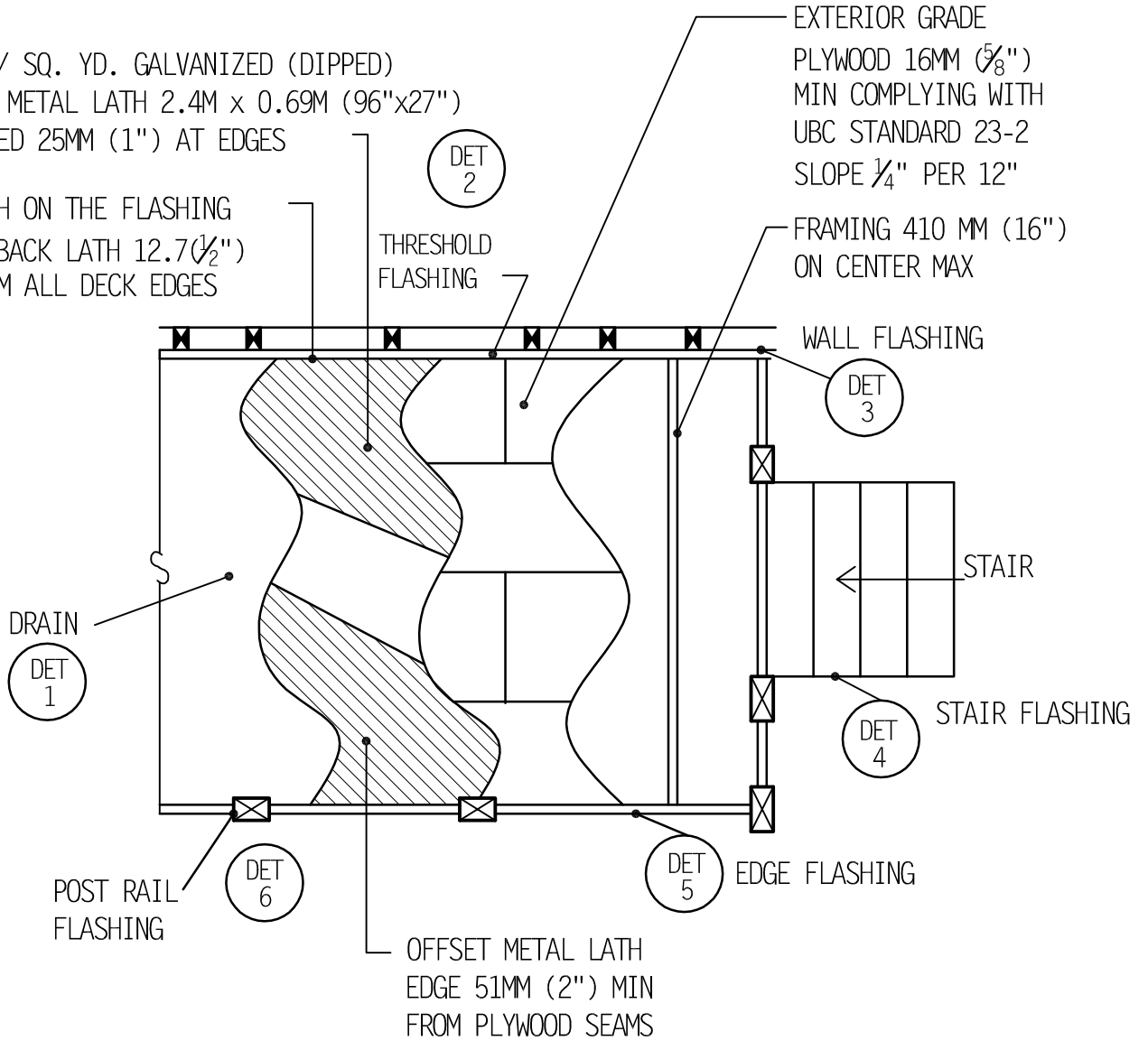


2.5 LBS / SQ. YD. GALVANIZED (DIPPED)
 EXPANDED METAL LATH 2.4M x 0.69M (96"x27")
 OVERLAPPED 25MM (1") AT EDGES

OVER LATH ON THE FLASHING
 HOLDING BACK LATH 12.7(½")
 AWAY FROM ALL DECK EDGES

EXTERIOR GRADE
 PLYWOOD 16MM (⅝")
 MIN COMPLYING WITH
 UBC STANDARD 23-2
 SLOPE ¼" PER 12"

FRAMING 410 MM (16")
 ON CENTER MAX



DECK PLAN OVERVIEW AND DETAIL APPENDIX

LIFE DECK AL SYSTEM
TERMINATES HERE

102 MM (4")

LIFE DECK AL SYSTEM
ICC ES ER 5416

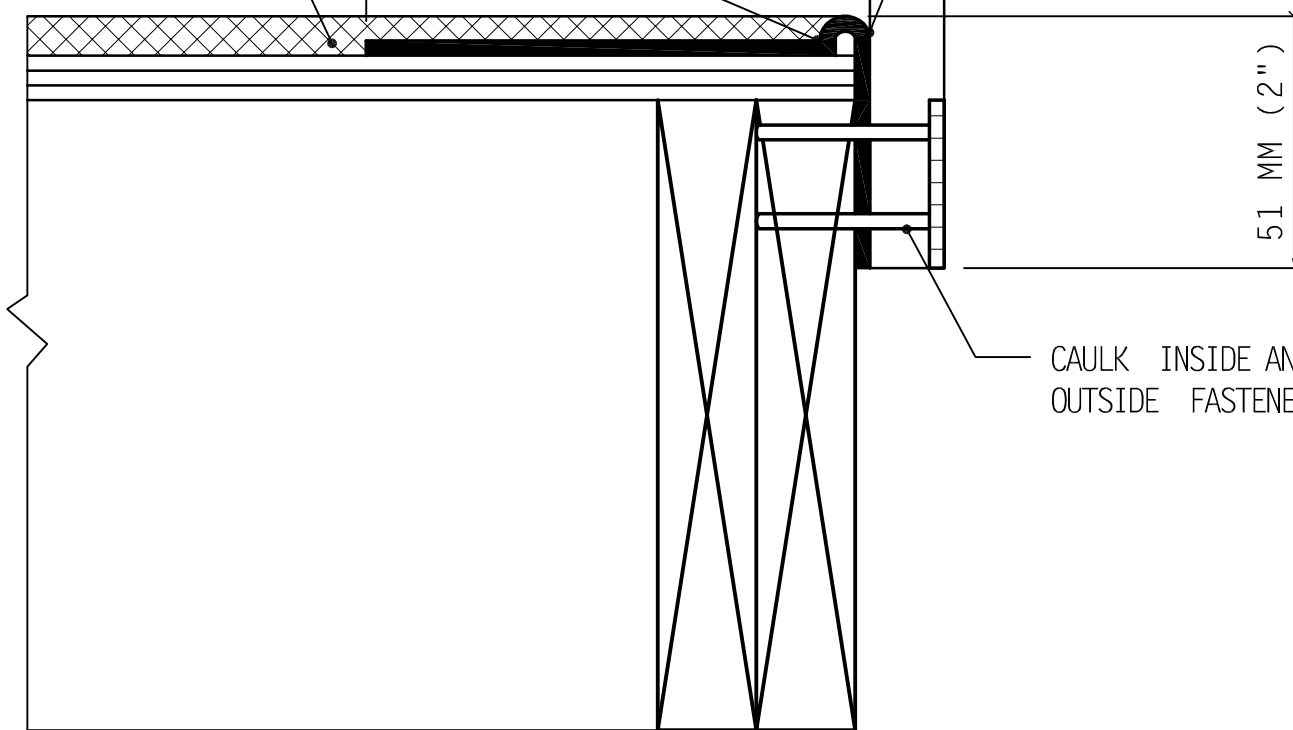
GALVANIZED BONDERIZED
26 GAUGE METAL
FLASHING

51 MM (2")

CAULK INSIDE AND
OUTSIDE FASTENERS

FASCIA MOUNTED RAIL

DETAIL 6C



LIFE DECK AL SYSTEM
TERMINATES HERE

LIFE DECK AL SYSTEM
ICC ES ER 5416

102 MM (4")

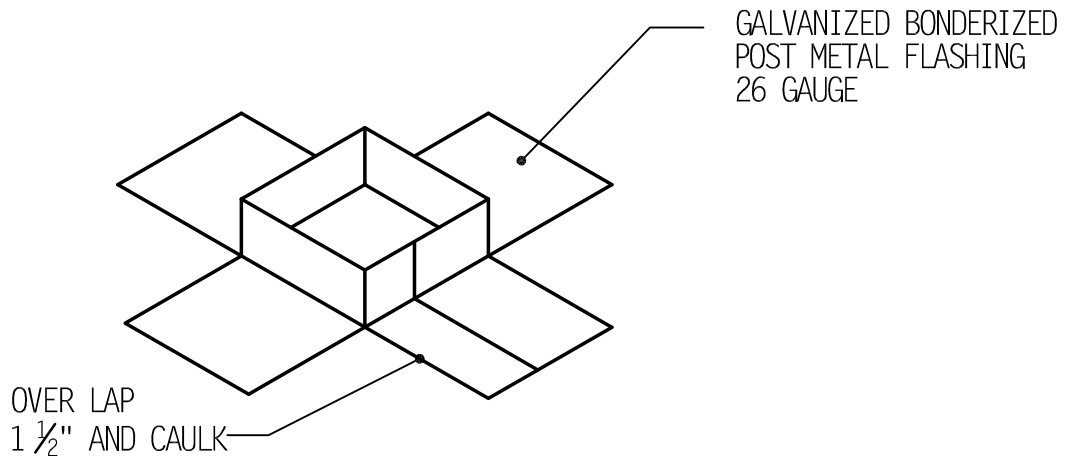
GALVANIZED BONDERIZED
26 GAUGE METAL
FLASHING

51 MM (2")

CAULK INSIDE AND
OUTSIDE FASTENERS

CANTILEVERED RAIL

DETAIL 6B



APPLY MFG RECOMMENDED
JOINT SEALANT AT TOP OF
FLASHING

MIN 2 FACE NAILS
PER SIDE AT
FLASHING ON EACH SIDE
OF POST

SECURE FLASHING
WITH NAILS (3 MIN)
ON ALL SIDES

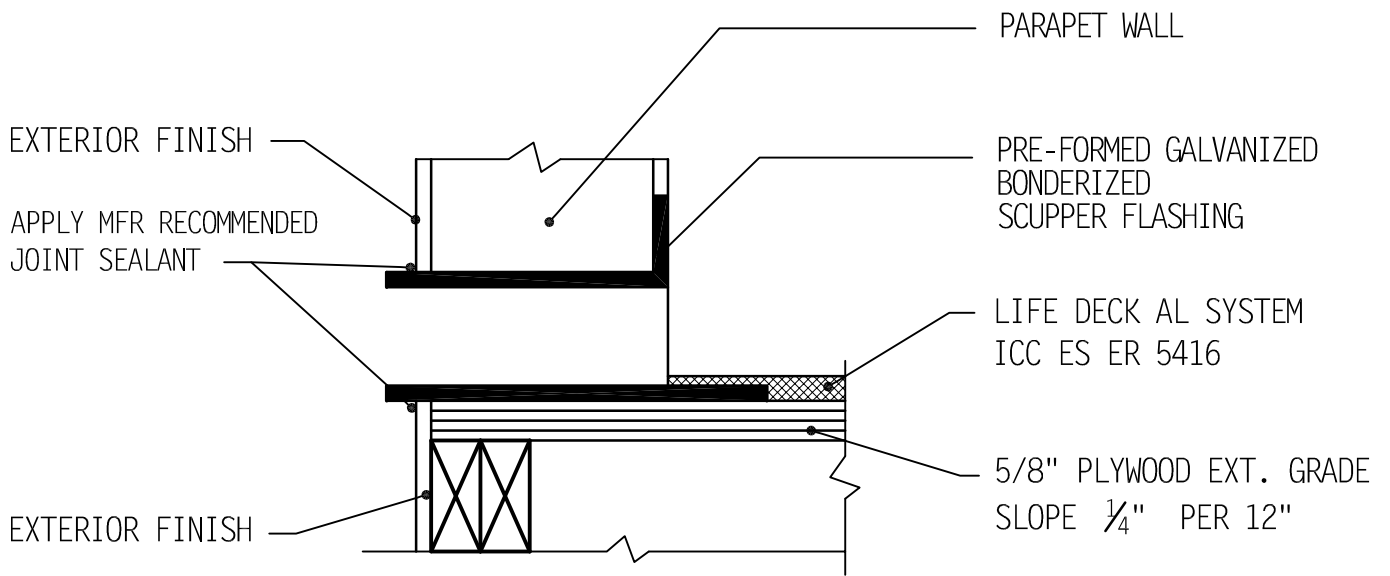
GALVANIZED BONDERIZED
26 GAUGE FLAT METAL
INSTALLED ON ALL CORNER OF
THE POST.

APPLY MFG RECOMMENDED
JOINT SEALANT BEHIND
FLASHING

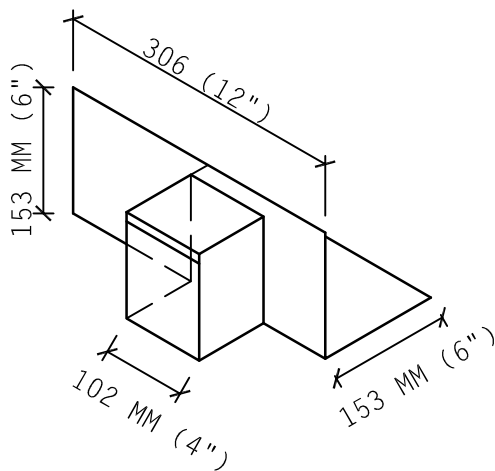
APPLY MFG RECOMMENDED
JOINT SEALANT AFTER
COMPLETION OF LIFE
DECK A.L SYSTEM
COLOR/SEAL COAT

POST FLASHING

DETAIL 6A

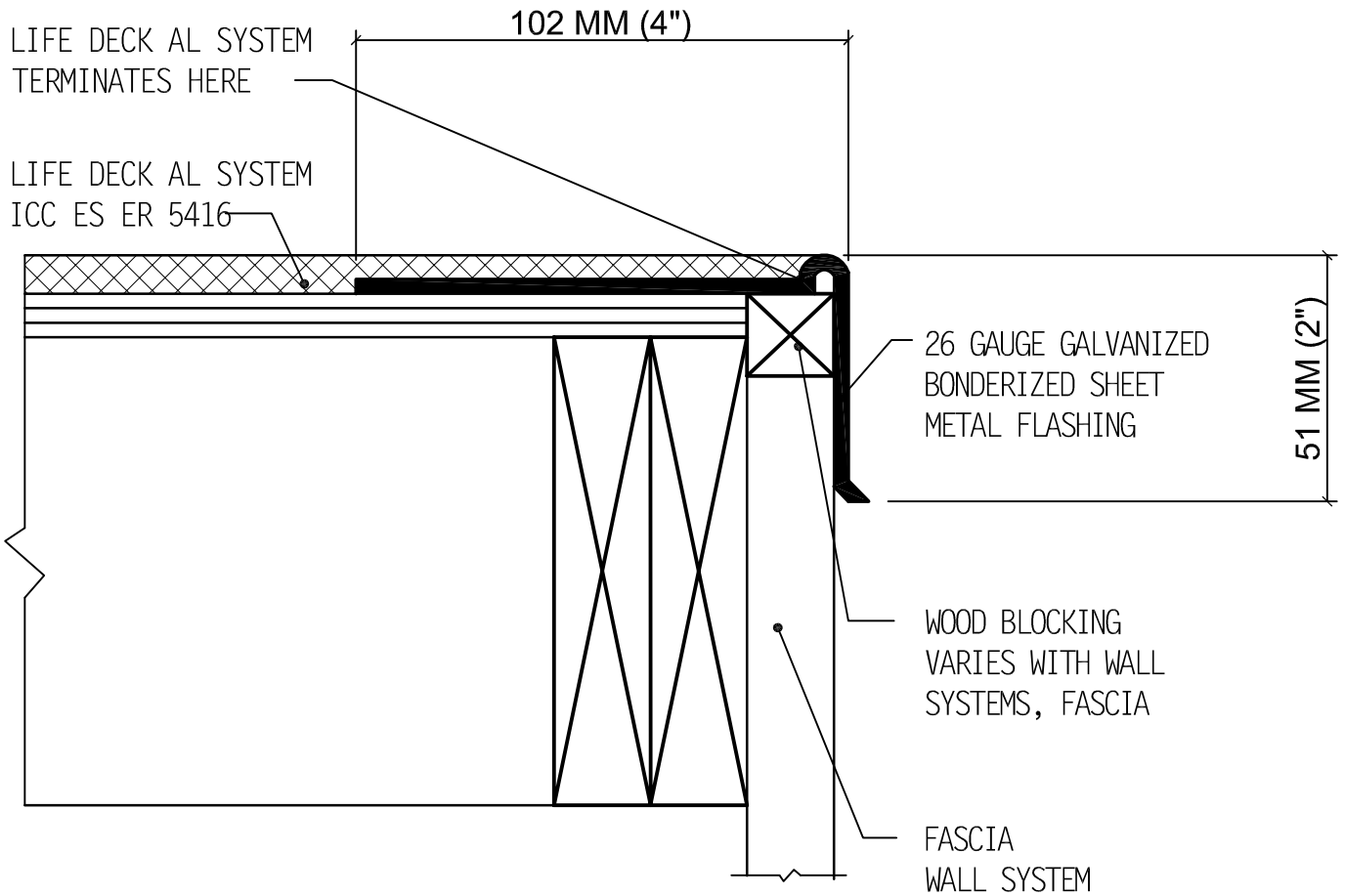


SCUPPER DIA GRAM



SCUPPER

DETAIL 5B

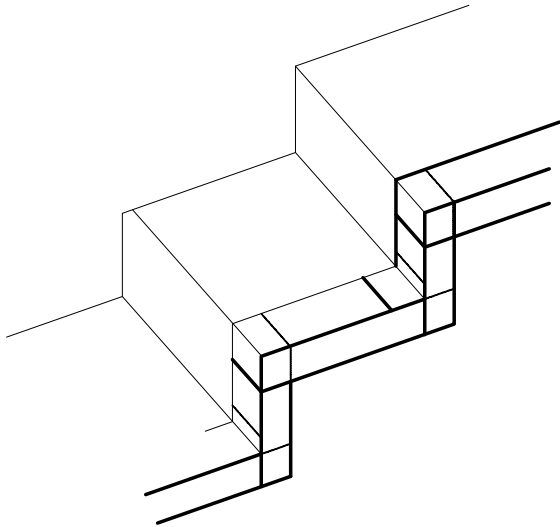


FASCIA

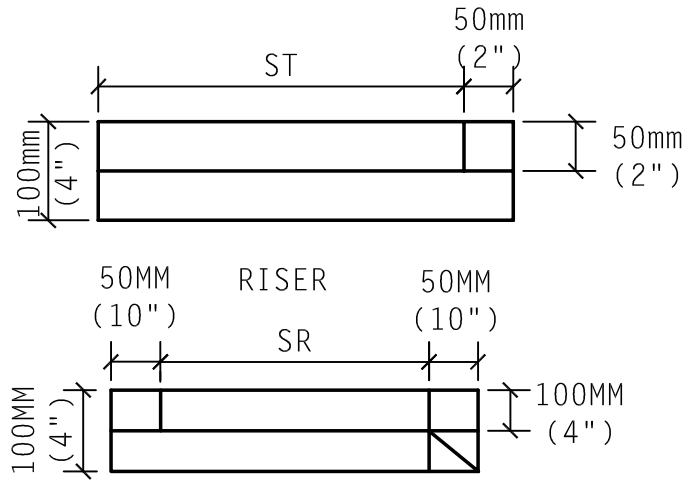
DETAIL 5A

NOTE
 ST - STAIR TREAD DIMENSION
 SR - STAIR RISER DIMENSION

EDGE

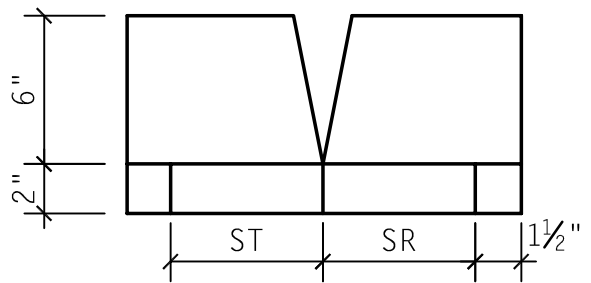
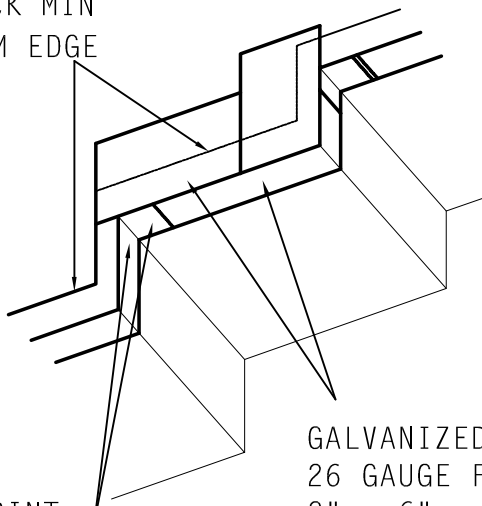


TREAD



STUCCO STOP,
 EIFS, SIDING,
 HOLD BACK MIN
 1½" FROM EDGE

WALL

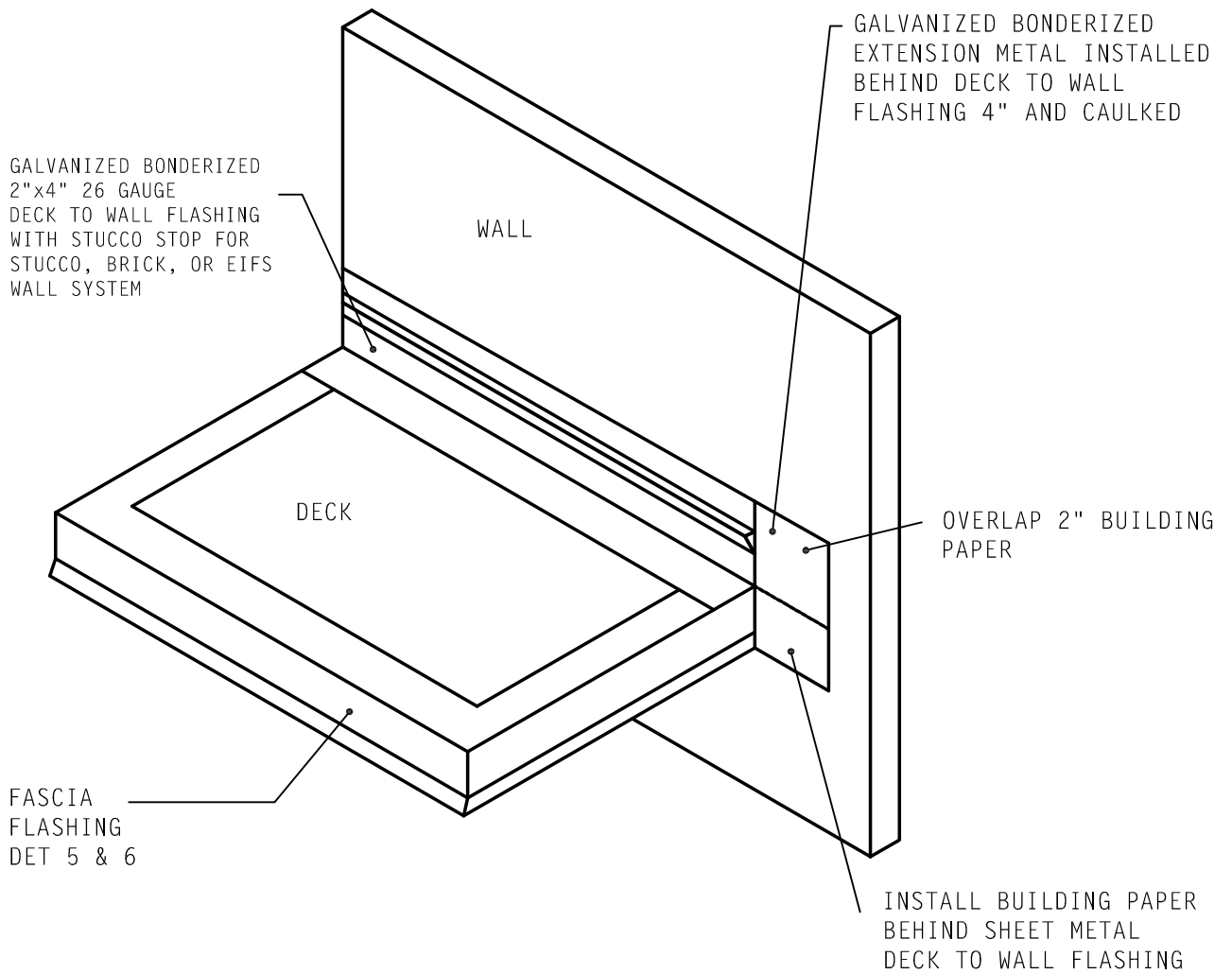


APPLY JOINT
 SEALANT ON ALL
 OVERLAPPED FLASHING

GALVANIZED BONDERIZED
 26 GAUGE FLASHING
 2" x 6"

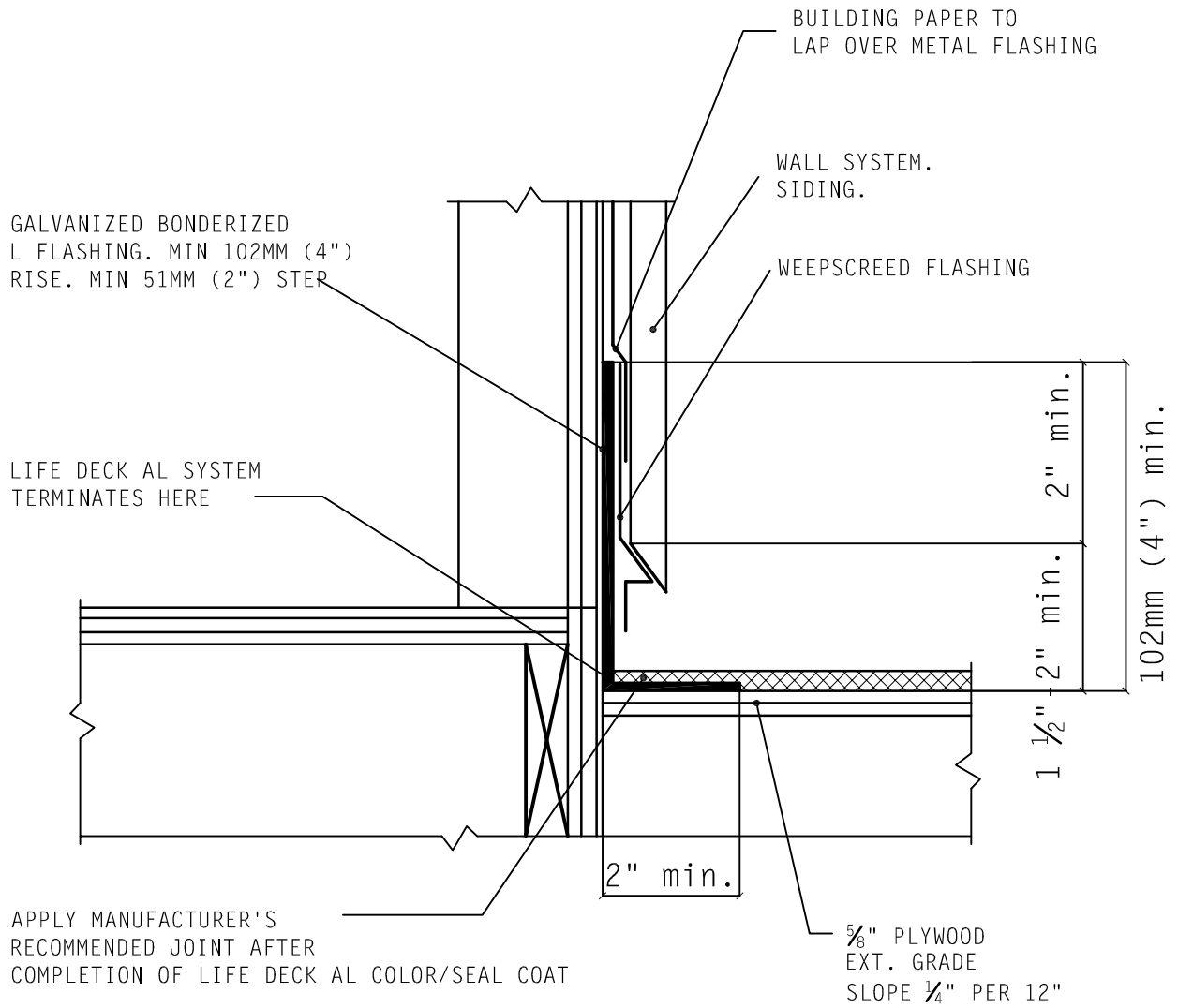
STAIRWAY FLASHING

DETAIL 4



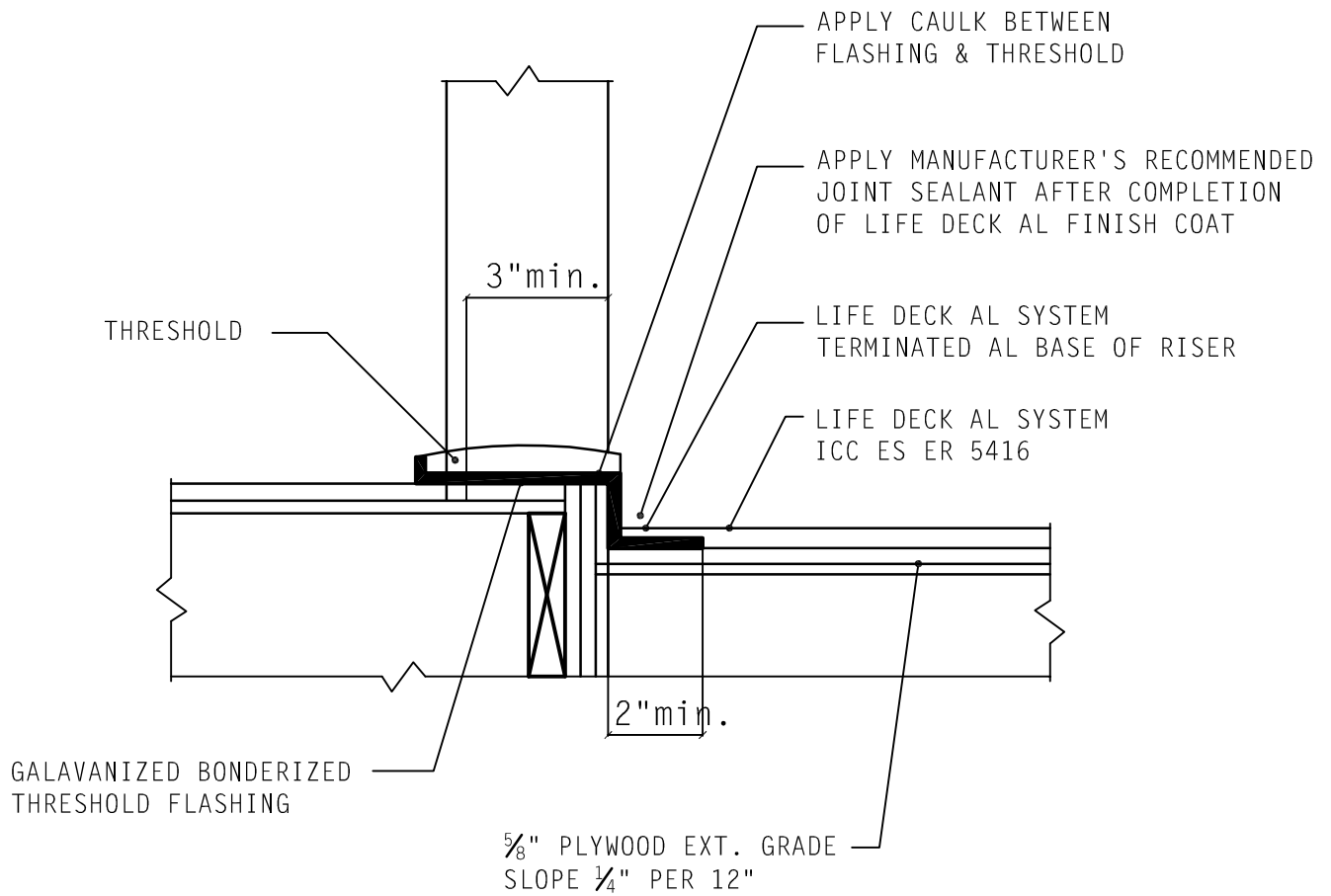
**FLASHING INTERSECTION
FASCIA, WALL, DECK**

DETAIL 3B



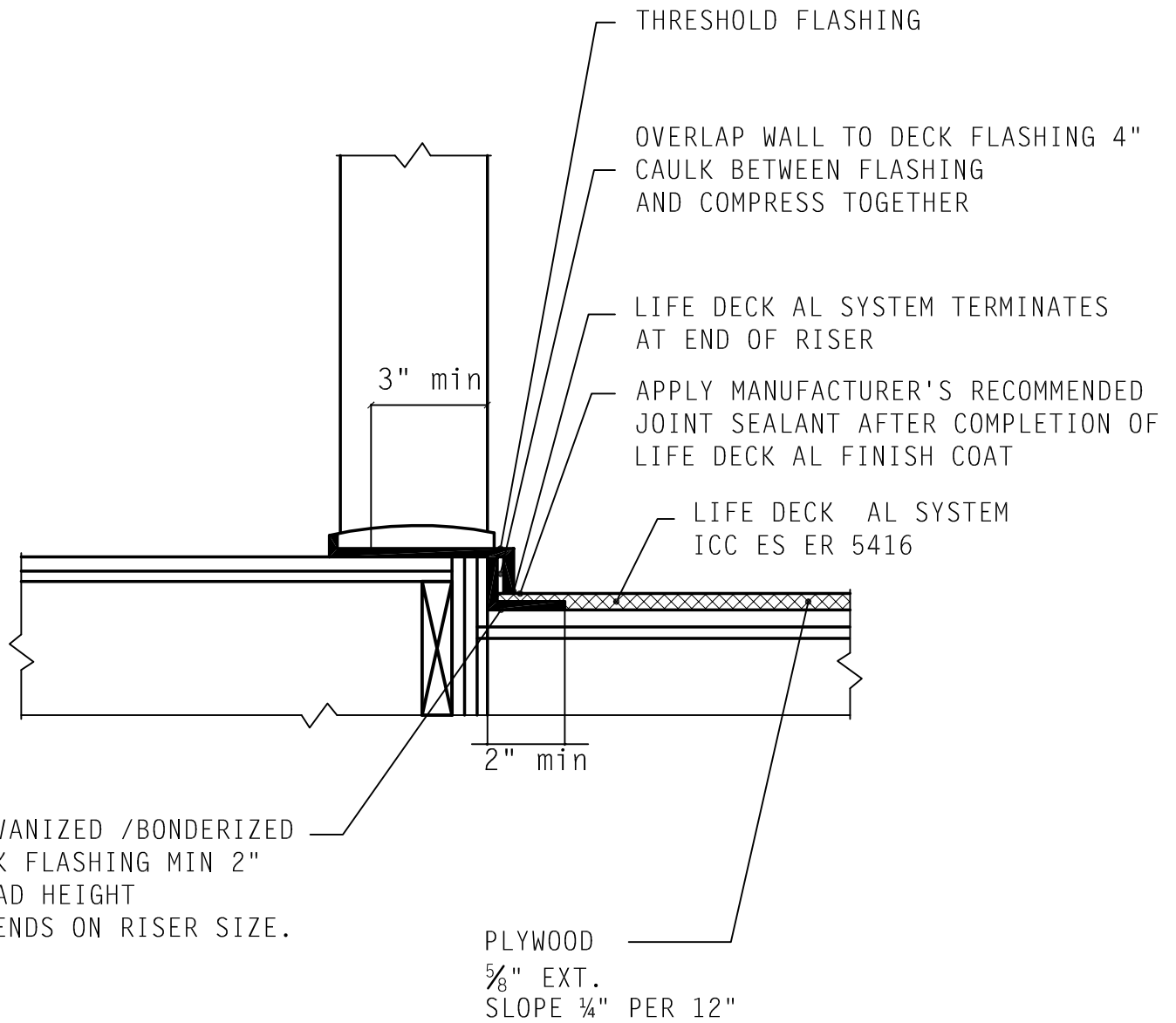
**DECK TO WALL FLASHING
FOR WALL SYSTEM AND SIDING**

DETAIL 3A



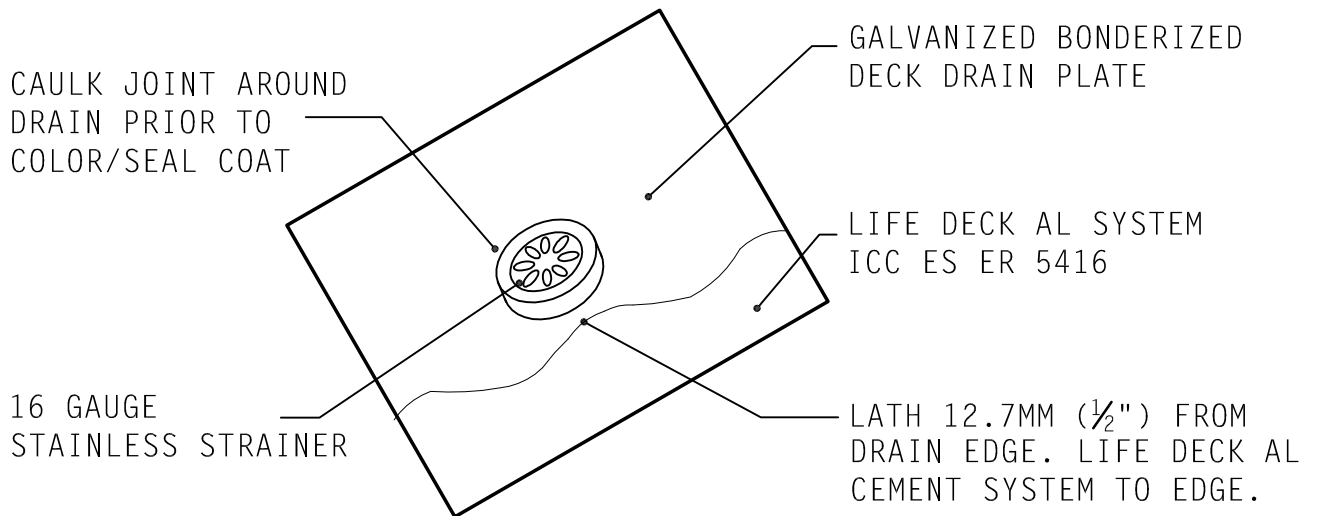
DETAIL 2B

**PAN FLASHING
SINGLE FLASHING FOR 0.51MM (2") STEP-UP**



DETAIL 2A

**THRESHOLD FLASHING
DOUBLE FLASHING FOR-152MM (2"-6") STEP-UP**



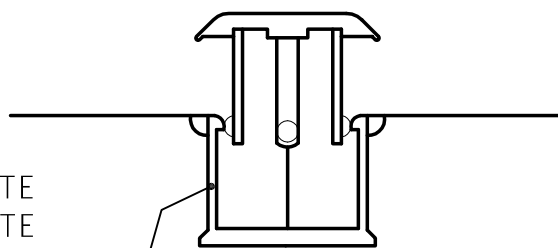
DECK DRAIN PLATE MEASUREMENTS

DIMENSIONS:

2" 9"x9" PLATE

3" 10"x10" PLATE

4" 11"x11" PLATE



BRONZE NO HUB OR MALE THREAD

PLYWOOD DECK DRAIN

DETAIL 1